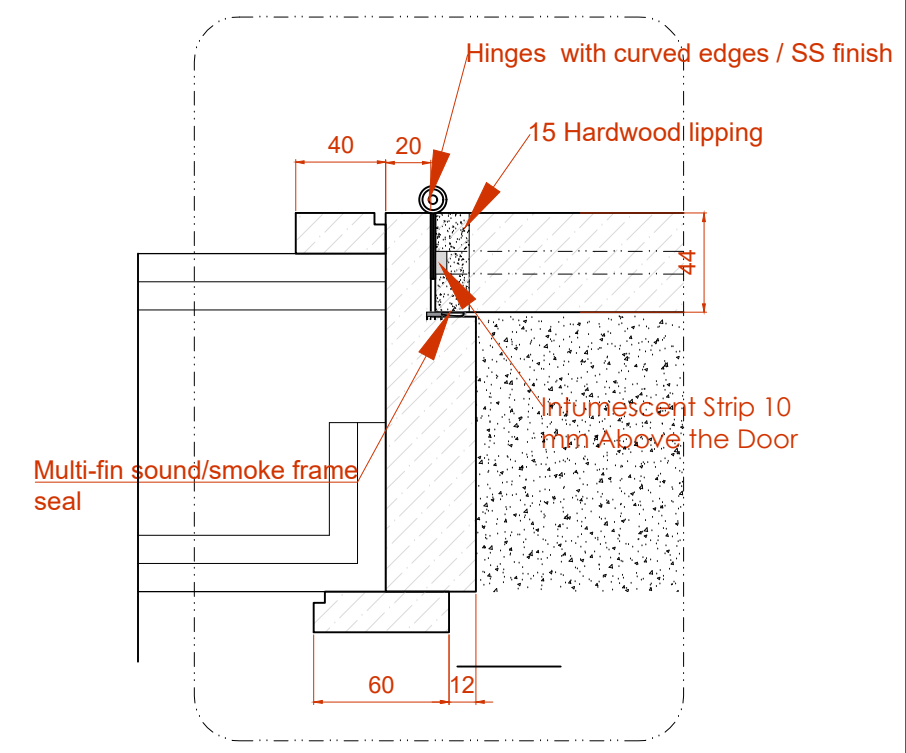
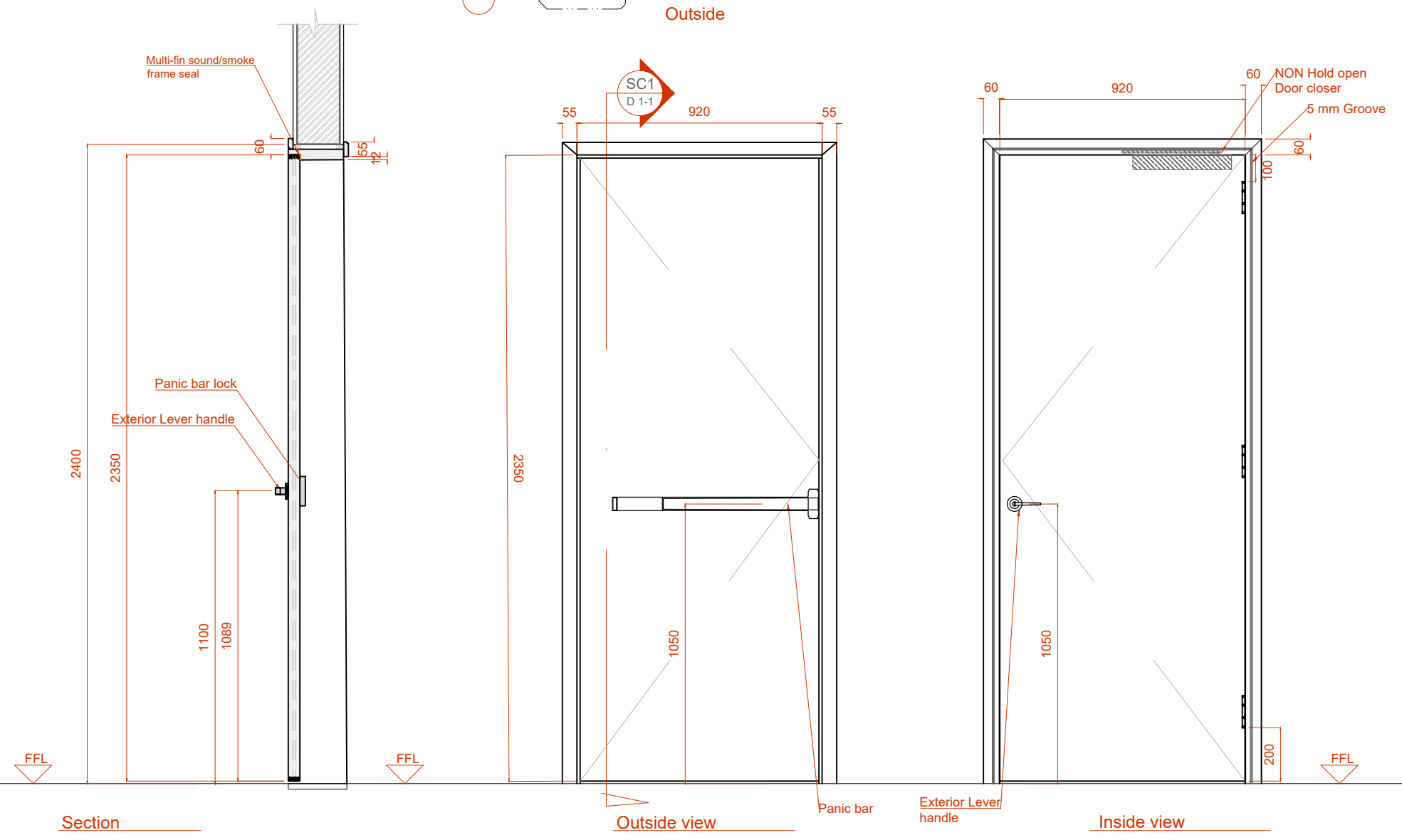
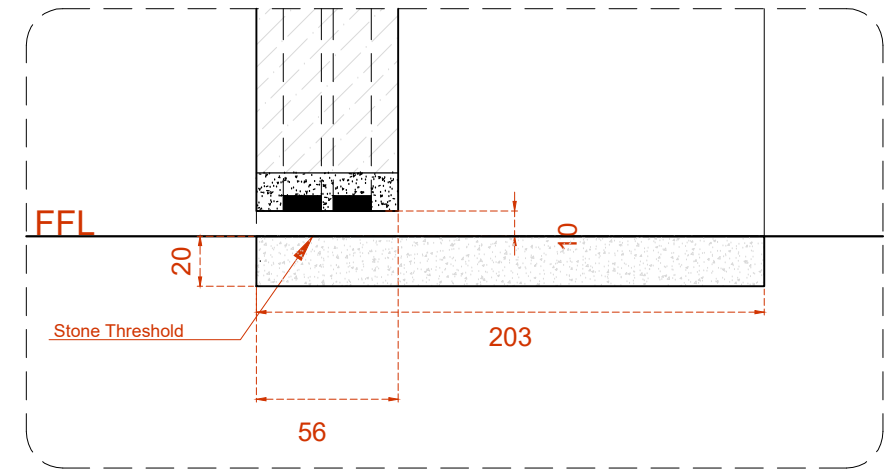
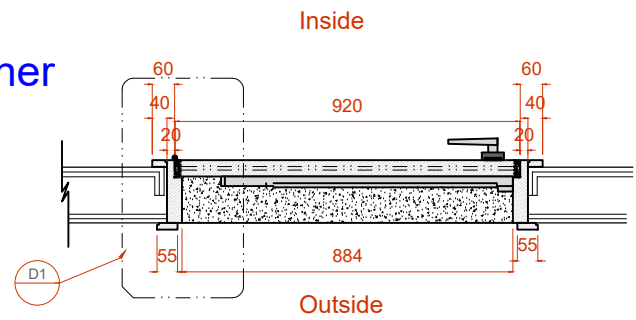


Approved with comments
 Quantity and to be verified by joiner
 Size to be verified on site



D7	Timber fire Escape door		
Panel Size	920 mm W x 2350mm H x 56 mm thk		
Finish	Timber panel , Timber frame MEZZ : Painted to match PNT-302	ACC (1-6): Stained to match JN-305	LR : Painted to match PNT-304
Door leaf type	Single door, Single swing flush door		
Ironmongery & Accessories	Handle :Exterior Panic handle		
	Hinges Type 2 : Hinges with curved edges		
	Door closer : Door closer EN 2-4 NON hold open		
	Lock : Panic Bar (Two point locking panic bar)		
	ACC : All ironmongery to be S/steel OR chrome Public Area : All ironmongery to be black		
Location	ACC Escape door		
Total QTY	D7-(17) , D7a-(1) , D7b-(1) , D7c-(1) , D7d-(1) , D7e-(1)		
Fire Rating	60		
Acoustic	NA		
Remarks			

